

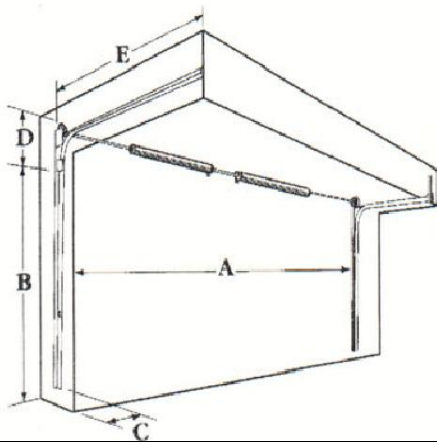
XJ Group Corporation

Quotation

TO:	Invoice No.: _____
	Invoice Date: _____
	S/C No.: _____
	S/C Date: _____

Term of Payment:	50% T/T before production and 50% by L/C or /T/T
Port to Loading:	Shanghai, China
Port of Destination:	_____
Time of Delivery:	20 -30 days
Insurance:	Covered by _____
Validity:	15 days

A.Width Exact finished opening width	B. Height Exact finished opening height	C.Sideroom Distance from edge of opening to wall or other obstruction	D.Headroom Distance from top of finished opening to ceiling or under side of joists	C. Depth Distance from finished opening back to further most point where hardware or electric opener will extend



Headroom Clearances Required

- Standard hardware: 30mm of headroom and over
- Low headroom hardware (double track): 10-20cm headroom

Description	Quantity	Unit price	Total (FOB)
Total Amount(FOB Shanghai):			
Shipping cost for one 40' container from Shanghai to CFR			
Total Weight:			
Total size			
Remarks:			